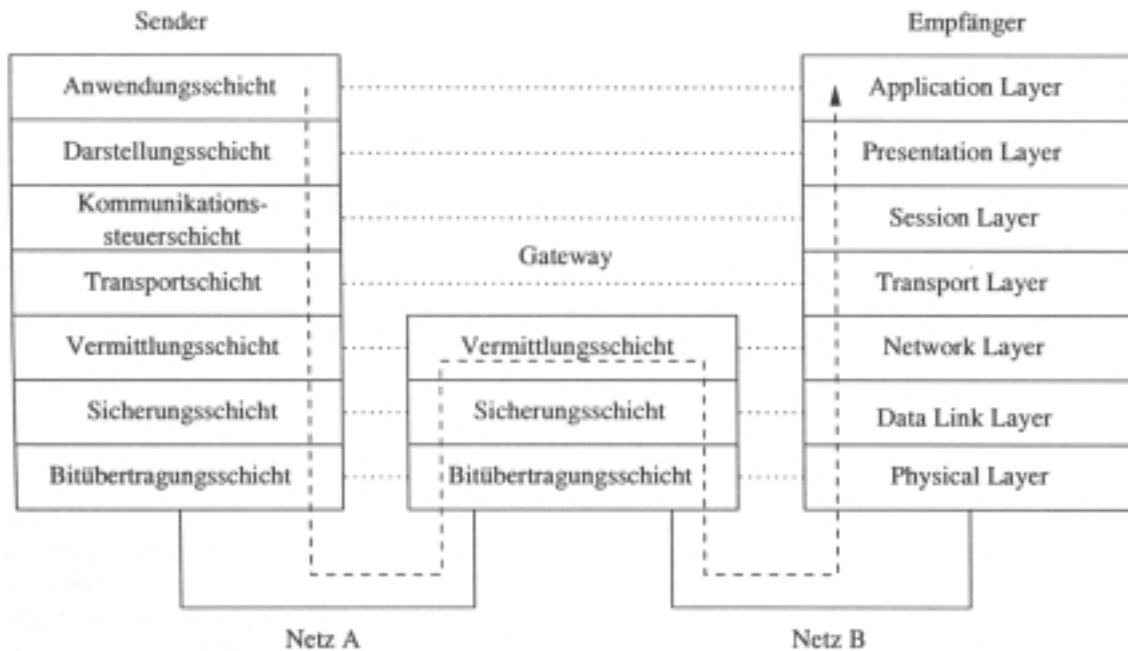
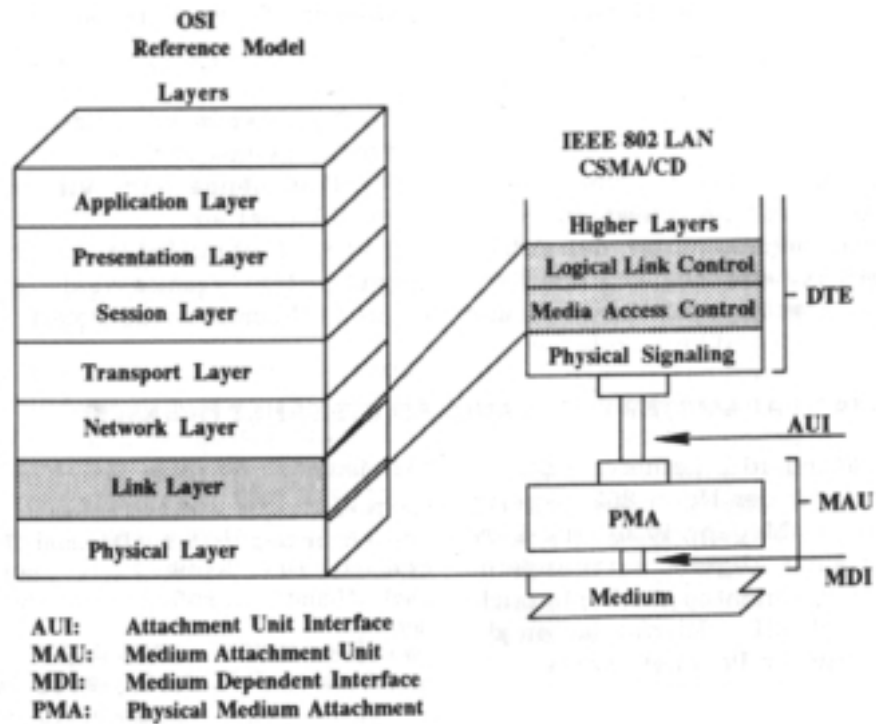


IP — Grundlagen

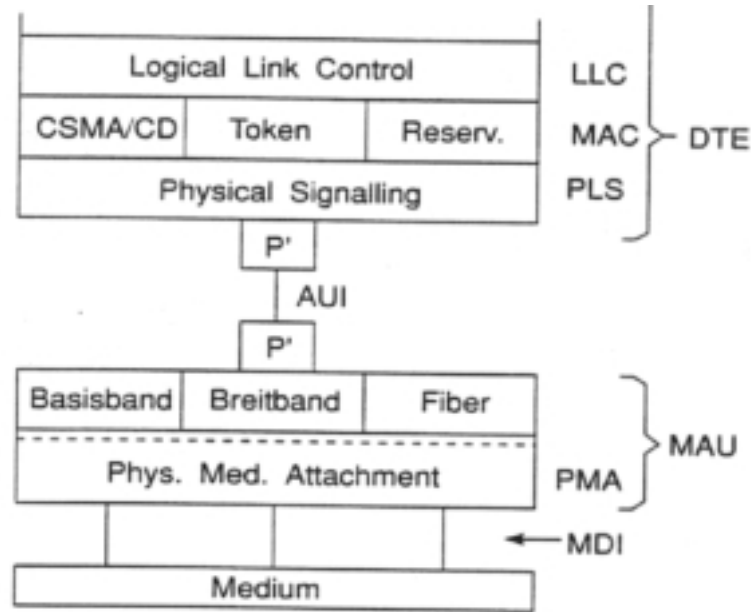
OSI-Referenzmodell



OSI Schicht 2

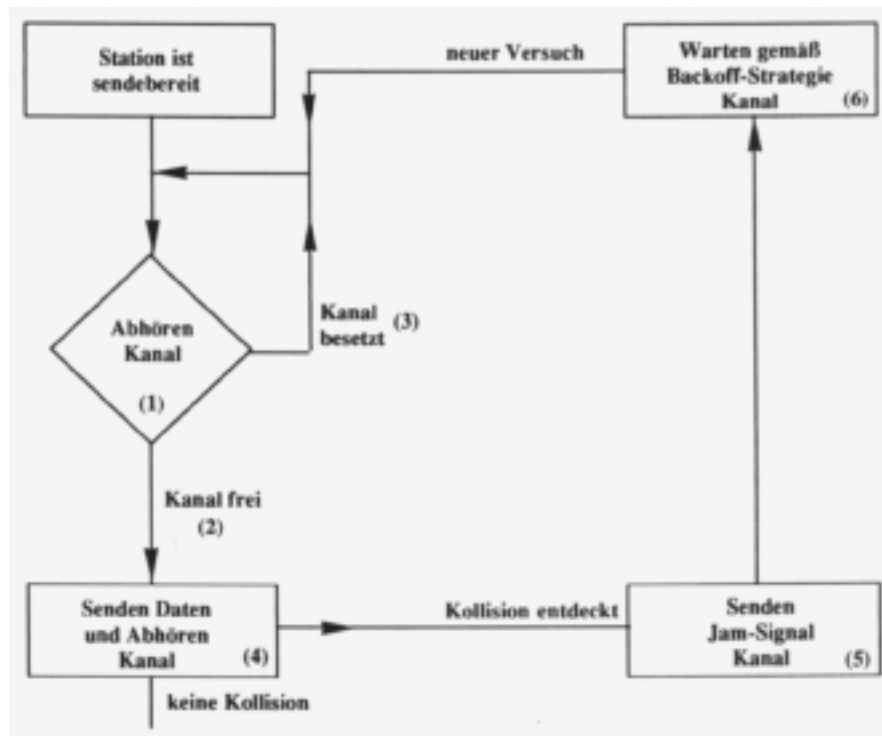


Aufbau einer LAN-Station



LLC = Logical Link Control
 MAC = Medium Access Control
 MAU = Medium Access Unit
 PLS = Physical Signaling
 AUI = Attachment Unit Interface
 MDI = Medium Dependent Interface
 PMA = Physical Medium Attachment

CSMA/CD



Quelle: Hegering/Chylla: Ethernet-LANs